



SSI-203S

Soft Serve Machine



Features

- Two Flavors & One Twist.
- Can serve Yogurt & Soft Ice Cream.

Mix Hopper

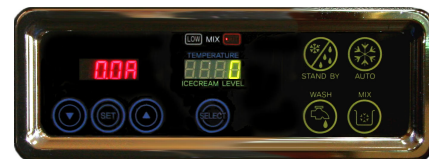
- Two, 10liter (2.64gallon) capacity.
- Maintain the temperaturer of mix, under 5°C (41°F) in Auto & Stand by mode.

Freezing Cylinder

- One, 2.7liter (0.72gallon) capacity.

Touch Screen Display

- Adjust all the settings from the touch panel.
- Voice guide function available.



Load Control System

- Check the electronic current every seconds from the dasher motor to produce high quality of soft serve.

Standby Mode

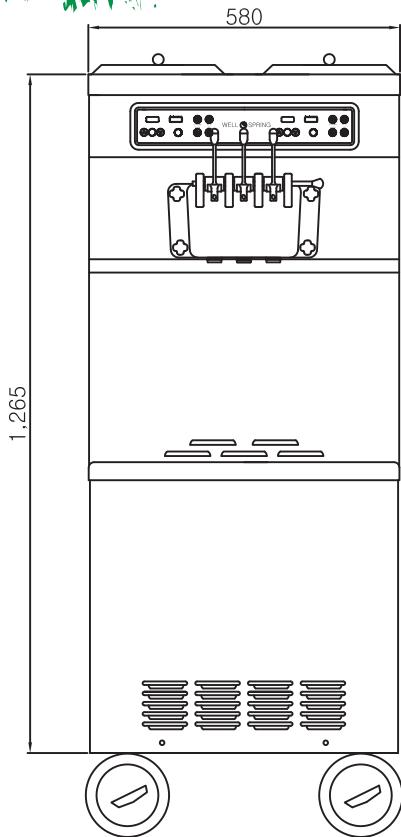
- During long no-use time, Standby mode keep the Mix Hopper and Freezing Cylinder cooling.



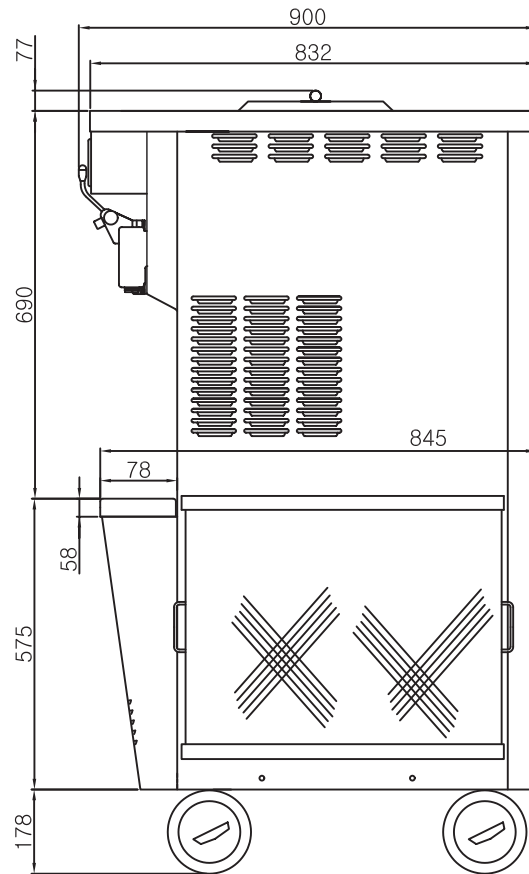
78BL/3LT, 648-2, Kojan-Dong, Namdong-Ku, Incheon, South Korea
TEL : +82-32-814-2160 Ext. 270, 272, 275 FAX : +82-32-814-1798
WEB : www.icemaker.co.kr Email : webmaster@icemaker.co.kr

ISO 9001:2007
REGISTERED

Drawings



Front Side View



Left Side View

Exterior

Dimensions	Net.		Gross.	
	mm	inch	mm	inch
Width	580	22.9	710	28.0
Depth	900	35.5	1020	40.2
Height	1520	59.9	1660	65.4

Weight	Net.		Gross.	
	kgs	lbs	kgs	lbs
	250	552	265	584
Volume	-		1.3 cu.m	

Electrical

Power consumption	4,500 Watt
Voltage	208-230V/60Hz/1PH
	229-240V/50Hz/1PH

Specifications

Refrigeration System

Comp	No.	Brand	Watt	BTU	Ref.
Freezing	2ea	Aspera	1545	5272	R404A
Cooling	1ea	ACC	199	679	R134A

*Air-Cooling condenser.

*BTUs may vary depending on compressor used.

Production Capacity

Max. Production	42Kg/h (92.6bs/h)
First Dispensing	7~11min
Consecutive Dispensing	16~40cups(100cc/3.5oz)
Dispensing per hour	420cups(100cc/3.5oz)

*Production Capacity may vary depending on ambient temperature.

Dasher Motor

Two, 0.75Kw (1.0Hp)

*Product's exterior and specifications can be modified without prior notice.



SINCE 1981 - ARTISAN SPRIT
Island Freezer / Ice Cream Cabinet / Ice Maker
Soft Ice Cream Machine / Slush Machine

Distributed by

